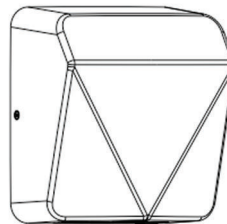


Visit ABIS Electronics Help Center:  
<https://www.abiselectronics.co.uk/apps/help-center>



To register for warranty, please visit:  
<https://www.abiselectronics.co.uk/pages/warranty-registration-form>



## Express Automatic Electric Hand Dryer User Manual

ABIS Electronics,  
85 Great Portland Street, London,  
W1W 7LT, UK  
<https://www.abiselectronics.co.uk>



## Technical Parameters:

Rated Voltage	AC 220 - 240V AC 110 - 127V	Waterproof Grade	IPX <sub>1</sub>
Rated Frequency	50/60 HZ	Sensing Distance	12 ± 3 cm
Rated Power	2300W	Air Speed	20 m/s
Temperature Controller Cut-out Temperature	115°C	Drying Time	10-15S
Thermal Fuse	121°C	Overall Size	245 x 265 x 207 mm

## Note before installation:

### ⚠ Warning

1. Warning: do not use the hand dryer near water, in places such as bathtubs, showers, basins, or other containers with water.
2. Children should be supervised to ensure they do not play with the device. The hand dryer is intended to be used indoors only.
3. Professional installation is highly recommended to install power lines to avoid electric shock hazards.
4. Ensure the device is unplugged before installation.
5. Ensure you install an earth leakage circuit breaker to prevent shock and fire hazards.
6. Do not unassemble, repair or alter the hand dryer on your own to avoid the risk of an electric shock, fire, and other accidents.

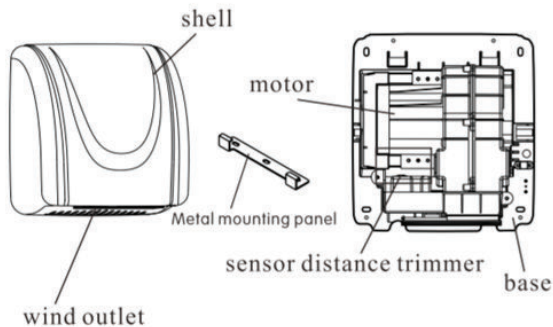
### ⚠ Attention

1. Before installation, ensure there are no other objects around 400mm. Do not install the hand dryer on the stainless steel or artificial marble surface to avoid misoperation.

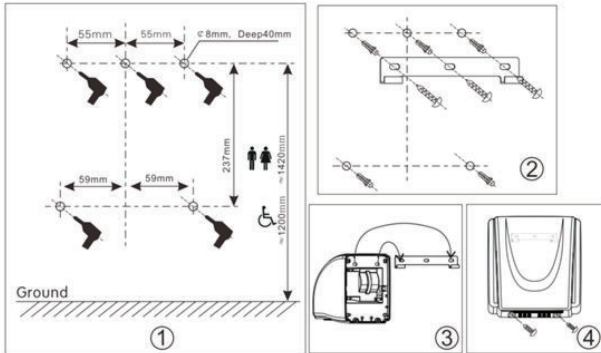
2. The hand dryer unit should be firmly fixed to the even surface (wall).
3. Do not install the hand dryer near corrosive or flammable gases or objects. It may cause fire or product damage and malfunction.
4. Do not install the hand dryer in an environment with high temperature or dust, as it may cause product damage.

## Components Name:

### (picture 1)



## Installation Method:



1. Drill 4 holes in the wall.
2. Screw the two fixing screws off the cover with the hexagonal wrench and remove the panel. Detach sensor connecting wire.
3. Using the screws, fix the machine on the wall & connect it to electric power. (Please Note: We recommend the installation to be done by a professional electrician only).
4. Put the cover on the machine and cover it using the hexagon wrench.
5. Plug the hand dryer in power.

## Test Operation:

After installation, please test the hand dryer operation according to the steps below:

1. The hand dryer should be in standby mode after the power has been switched on.
2. The hand dryer should automatically stop after 60 seconds of work.

## Usage:

1. After washing hands, place hands under air outlet around 10 cm away. The hand dryer will be automatically activated using the automatic sensor. Please retreat the hands when hands are dried, and it will stop working in 2 seconds.
2. After 60 seconds of continuous usage, the hand dryer will stop automatically.
3. Do not dry any clothes or handkerchiefs, etc.
4. Do not pull the electric cord abruptly to avoid any short circuits.
5. Do not use the hand dryer for extremely long hours. The wind outlet might get extremely hot and damage the sensor.

## Tips:

1. If the hand dryer sensor is not working or turning on automatically, please adjust the sensor distance trimmer. The trimmer is indicated in Picture 1.
2. The closer you place your hands to the hand dryer, the faster they dry.
3. Be careful of the surface heating when in use continuously.

## Maintenance:

---

1. Ensure the device is unplugged before cleaning. Clean the shell with a natural detergent when dirty.
2. Do NOT use alkaline, lacquer thinner, abrasive detergents, or detergents containing acid.
3. Do NOT use friction tools, such as nylon brushes to avoid shell scratching.
4. When cleaning the shell, avoid the water drops inside the hand dryer to prevent electric shock or short circuit.
5. To extend the service life, it is recommended to unplug the device when it is not in use.
6. In case of the device break down, immediately unplug it from the power and contact the professional electrician for repair.
7. If the hand dryer is not in use for a long time period, unplug it from the power supply, and store it in a box inside a dry and clean space after cleaning.

## Terms of Guarantee:

---

1. The product warranty period is one year from the purchase date.
2. During the warranty period, in case of a warranty case, the device can be replaced for free. The original invoice and the quality insurance card stamped by the dealer will need to be presented by the customer.
3. The following are NOT in the scope of free maintenance:
  - a. Improper use and fault caused by demolition, unassembling, and repair by a technical specialist without ABIS authorization.
  - b. Faults caused by fires, earthquakes, thunder, and other natural disasters.

- c. Abnormal voltage
  - d. Faults caused by non-matching power.
  - e. Faults caused by long-time operation in unacceptable working conditions.
  - f. Warranty card and insurance card filled out incorrectly or not explicitly.
4. After the 1-year warranty period, the maintenance of the product is no longer free, while our company remains committed to service.

## Step-by-Step Installation Guide:

---

Scan the QR code to read our Ultimate Guide on How to Install an Electric Hand Dryer - Complete Installation Guide on ABIS Electronics

